

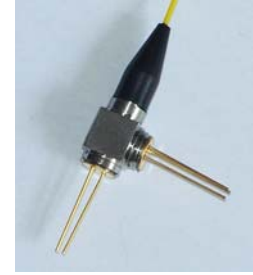
# 1490/1550 Dual Receive Device

### Features:

- Advanced InGaAs PIN Design
- High Responsivity PIN (300um)
- 1490/1550nm Receiver
- Optional package type FC/SC/ST
- Rohs Compliant

### Applications:

- Power measuring device
- Wireless fiber-optic repeaters



### Absolute Maximum Ratings

Parameter	Symbol	Min	Max	Unit
Operating Case Temperature	Top	-40	85	°C
Storage Temperature	Tstg	-40	125	°C
Reverse Bias (PIN)	Vr	-30		V
Reverse Voltage	V		30	V
Soldering Temperature			260/10s	°C/s
Forward current	I		5	mA

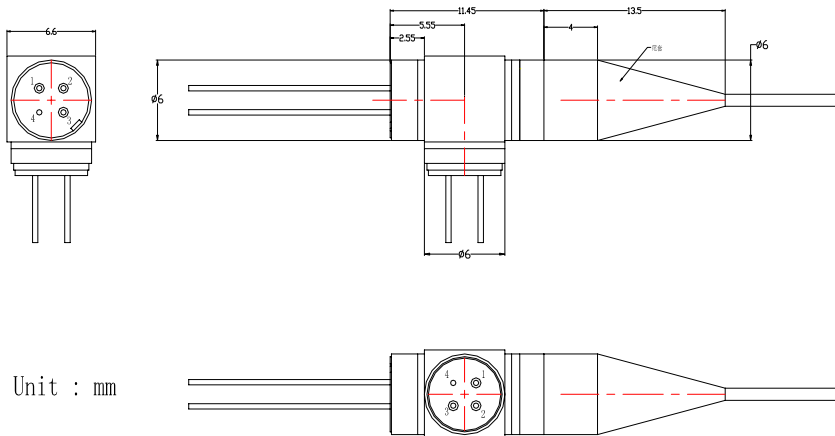
### Receiver Parameters:

Parameters	Test Conditions	Unit	MIN	TYP	MAX
Range Of Wavelength		nm	1530	1550	1570
			1470	1490	1510
Responsivity	Tc	A/W	0.8	0.85	
Dark Current of PD	Tc	nA			1
Capacitance		pF	5.0		
3dB Bandwidth		GHz	0.5		
Saturation Power		dBm	6		
Crosstalk	Vr=5V, CW	dB	45		

### Pin Assignment

PN	Pin
1	NC
2	PD anode
3	<b>Cathode</b>
4	Gnd & Case

Drawing



**Order Information:**

DRP series	Bit-rate	Rx series	Temperature	Fiber Type	Connector
↓	↓	↓	↓	↓	↓
2: 14/15nm Pin	1:1GHz 2:2GHz 3:4GHz 4:10GHz	1: PIN(3PIN) 2: PIN(2PIN) 3: APD(3PIN)	1: (0~70° C) 2: (-40~85° C)	S: single M1: 50uM M2: 62.5uM	FC/APC FC/PC SC/PC